



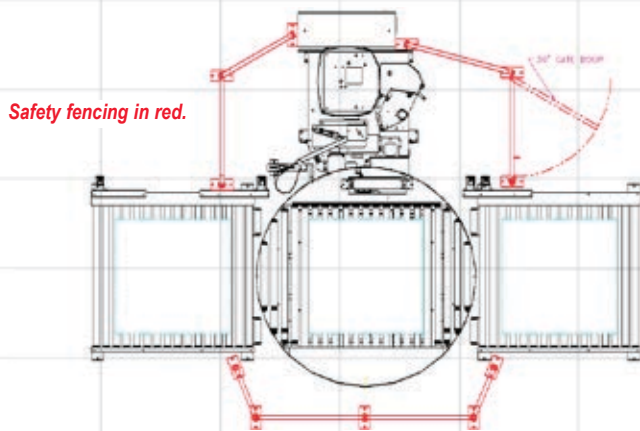
# Q-1000

## Clean Design

- Motors, wires, belts enclosed.
- No trip, burn or pinch hazards.

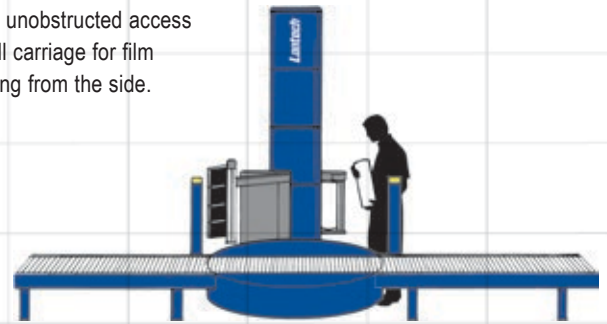
## Transition Photocells / System Guarding

- Transition photocells mounted on either side of the turntable for easy access.
- If photocell beam is broken during the wrap cycle, the machine will immediately shut down.
- Complete system guarding and safety signage standard on all models.



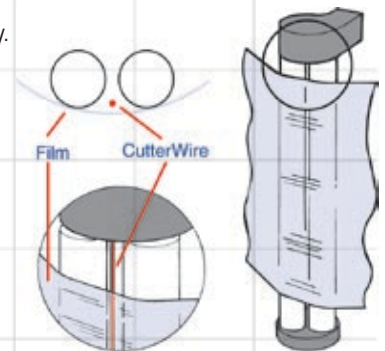
## Safe, Convenient Film Loading

- Safe, unobstructed access to roll carriage for film loading from the side.



## "Touchless" Film Cutting System

- Cutter wire safely guarded and hot only when necessary.
- Length of time for heated impulse is adjustable for film thickness and ambient temperature.
- Cutter wire does not come into contact with film, eliminates film build-up on wire for a clean, consistent cut.



## Q-1000 Specifications

### PERFORMANCE CRITERIA

- Production Speed based on 60" load height, 2 film layers and 10 revolutions: 45 loads per hour
- Maximum Load Size: 54"W x 48"L x 92"H
- Minimum Load Size: 36"W x 36"L x 24"H
- Maximum Load Weight: 4000 lbs.

### LOAD HANDLING SYSTEM

- Turntable Drive: 1 HP TEFC Motor
- Turntable Speed: 1-12 RPM

### FILM DELIVERY SYSTEM

- Power Roller-Stretch® System: 200% Standard 100-300% Available
- Wrapping Force: Electronic Control
- Film Capacity: 10" Roll Diameter, 20" Film Web Width
- Film Cut System: Reach® Arm with impulsed hot wire film cutter

### MACHINE SHIPPING WEIGHT

- Shipping Weight (including skid - approximate): 7250 lbs. (includes 5' infeed and 5' exit conveyor)

### ELECTRICAL REQUIREMENTS

- Machine Voltage: 460V
- System Logic: PLC/Touchscreen
- Control Panel: NEMA 12-enclosure with disconnect and safety lock-out

### PNEUMATIC DATA

- Air requirements: 3-5 CFM @ 80 psi clean, dry air

### SERVICE SUPPORT

24 hours/7 days a week

Specifications subject to change without notice. Lantech systems and sub-systems are protected by U.S. and foreign patents. Additional U.S. and foreign patents pending. © Lantech.com 2007

## Lan-Logix™



The Lan-Logix interface leads the industry to boost productivity by eliminating the need for costly software and hardware to make minor program changes. Included are multiple wrap patterns, precise wrap pattern control, password protection, and extensive efficiency data capture.

